

*Heavy Duty Lokgard...  
solid stainless steel*

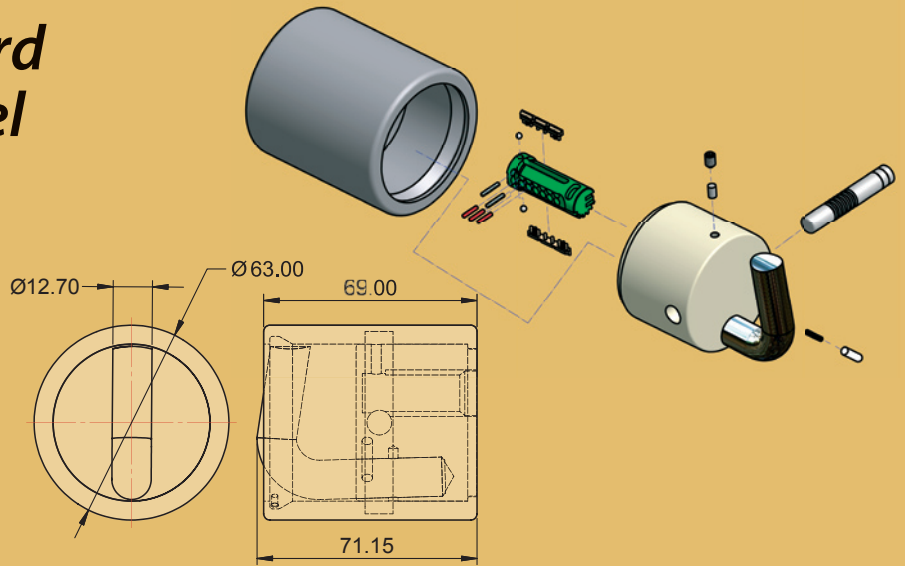


***Lokgard Padlock***

# Heavy Duty Lokgard Solid Stainless Steel

'Rock solid' Lokgard, the tough and versatile premium padlock from Australia! Stand-out security used widely by Australian Defence Force for its reliability and added strength!

- safeguarded by a unique concealed shackle design
- strengthened by solid marine grade (316) Stainless Steel
- SCEC Endorsed Australia wide.

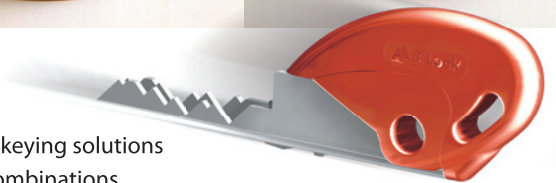


## About the BiLock Locking Cylinder System

Lokgard incorporates the traditional superior features of New Generation BiLock, with its proven track record that stretches across two decades.

A combination of pure function and form, the New Generation BiLock key head and masterful keying system is virtually impossible to duplicate. The dual BiLock keyway and strict key control system offers:

- simple masterkeying solutions
- 16.7 million combinations
- genuine pick and impressioning resistance
- attractive, extensive colour coding for quick and easy identification
- braille differentiation if required
- embossing of company logo into the key head for additional identification
- genuine cost effectiveness for a premium product.



Tax Office

Burj Al Arab

Star City Casino

High Court Building

War Memorial

Crown Casino



Recognised globally and rewarded with Australian Design Awards for Industrial Design and State and National Awards for Manufacturing and Business, Australian Lock Company is continually developing innovative locking solutions to suit individual and corporate security needs. Patents protect their innovative designs throughout the world to reflect the Company's ongoing commitment to research and development of its premium security products.

For further information contact

**Codringtons Ltd.,**  
38, Crawley Road, London N22 6AG.  
Tel: 020 8889 8494 Fax: 020 8889 6731  
sales@codringtons.com

[www.bilock.net](http://www.bilock.net)