

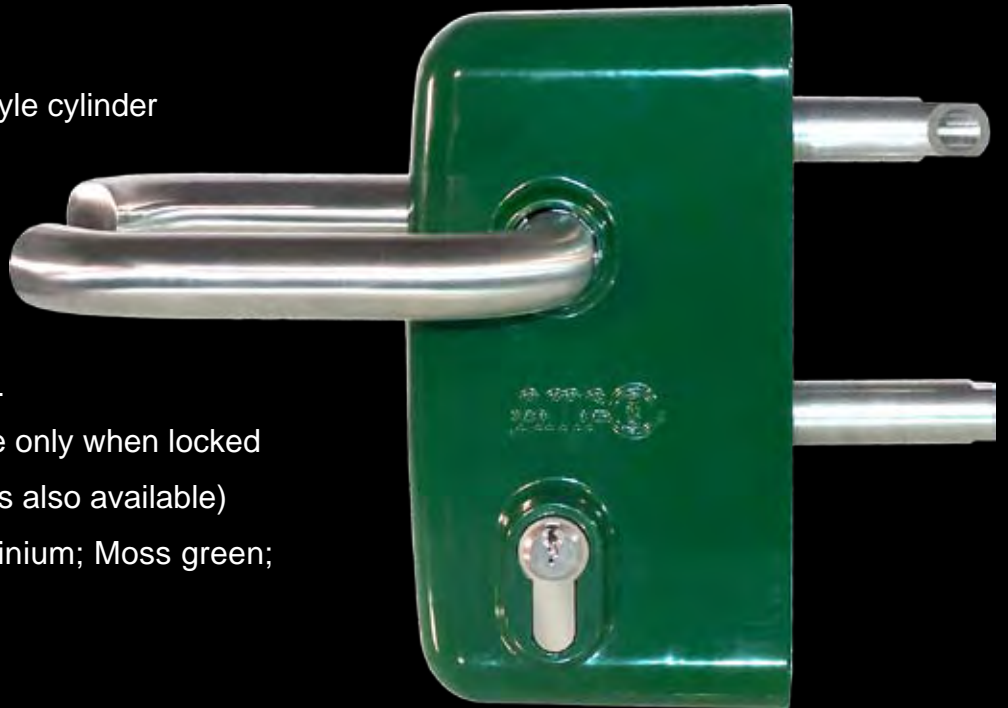
AMF G107 GATE LOCK

New! Key-retaining model now available.



The new stylish G107 lock for wrought-iron gates is made by AMF in Germany and is fully guaranteed. It is available only through Codringtons of London.

- Aluminium case
- Stainless steel internal parts
- Can be used with any euro style cylinder
- Non-handed - can be used on the left or right
- Adjustable throw - bolt and spring-bolt adjustable for 30-60mm profiles.
- Key retaining - key removable only when locked (a non-key retaining version is also available)
- Four colours: Polished aluminium; Moss green; Pine green; Black
- Closure: ZW



G107 package deal



- **G107 Gate Lock**
- **G419 Handle set**
- **Enfield cylinder**



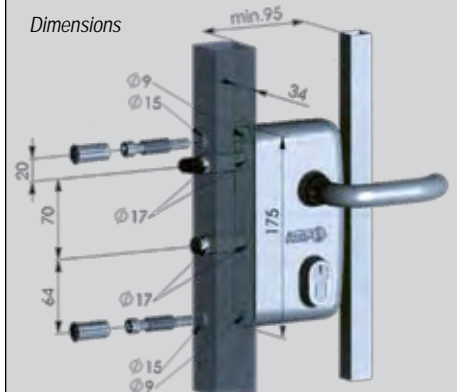
Accessories include:

- 2 Fixing screws
- 2 Mounting sleeves
- 2 Roses, 18mm diameter
- 4 Plastic caps
- Installation instructions
- Stick-on drilling template
- Backset 58mm
- Spindle 8mm
- Spacing 72mm

Also available:

- G419 Handle set

Dimensions



Codringtons Ltd
38 Crawley Road
London N22 6AG
United Kingdom

Tel +44 (0) 208 889 8494
Fax +44 (0) 208 889 6731
sales@codringtons.com
www.codringtons.com

Codringtons

AMF Product Range



Swing gate lock



Rim lock for wooden gate



Lever handle set



Sliding gate lock



Narrow stile mortice deadlock

Bolt through swing gate lock for tubular frame



Rim deadlock

